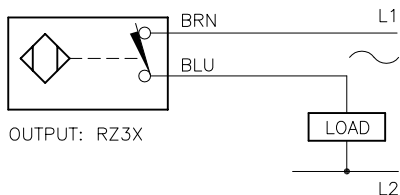
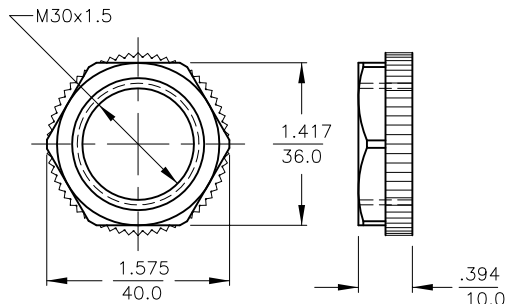


WIRING DIAGRAM



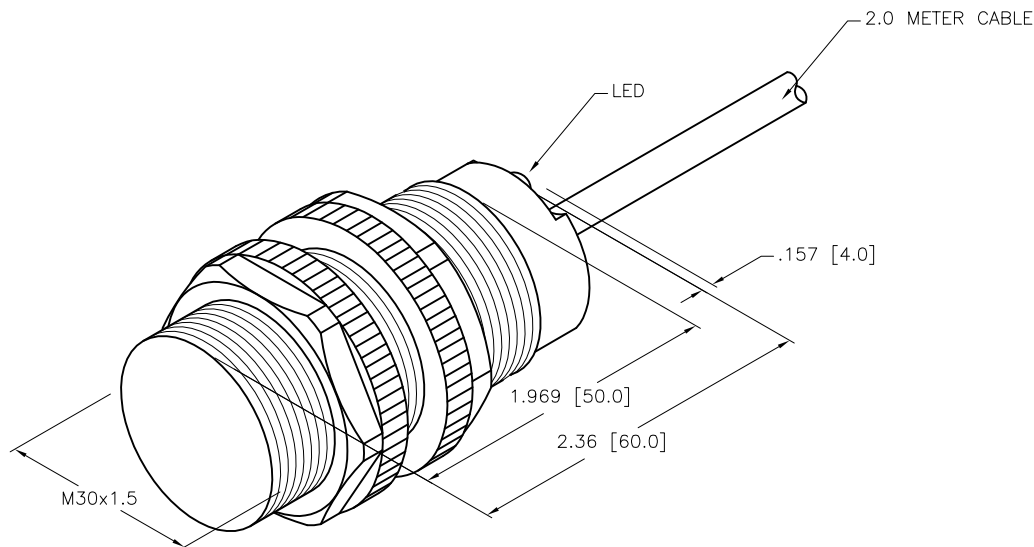
WARNING: NO SHORT-CIRCUIT PROTECTION
ALWAYS WIRE A LOAD IN SERIES WITH THE SENSOR.

LOCKNUT LN-P30


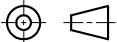


SPECIFICATIONS

RATED OPERATING DISTANCE	15mm = .591"
MOUNTING MODE	FLUSH
TEMPERATURE DRIFT	≤±10% ≤±20%, ≥ +70°C
HYSTERESIS	3-15%
MIN. REPEAT ACCURACY	≤2%
OPERATING TEMPERATURE	-25°C to +70°C (-13°F to +158°F)
RATED OPERATIONAL VOLTAGE (AC/DC)	20-250 VAC/10-300 VDC
RATED OPERATIONAL CURRENT (AC)	≤ 400 mA
RATED OPERATIONAL CURRENT (DC)	≤ 300 mA
MAINS FREQUENCY	50-60 Hz
RESIDUAL CURRENT	≤ 1.7 mA
RATED INSULATION VOLTAGE	≤ 1.5 kV
SURGE CURRENT	≤ 8.0 A (≤ 10 ms MAX. 5 Hz)
MAX. VOLTAGE DROP	≤ 6.0 V
OUTPUT FUNCTION	2-WIRE, NORMALLY CLOSED
SMALLEST OPERATING CURRENT	≥ 3 mA
MAX. SWITCHING FREQUENCY	≤ 0.02 kHz
HOUSING MATERIAL	PLASTIC, PA12-GF20
ACTIVE FACE MATERIAL	PLASTIC, PA12-GF20
END CAP MATERIAL	PLASTIC, EPTR
CABLE	∅5.2, LiYY-T105, PVC, 2 METERS
VIBRATION RESISTANCE	55 Hz (IN ALL 3 PLANES)
SHOCK RESISTANCE	30 g, 11 ms
DEGREE OF PROTECTION	IP 67
SWITCHING STATUS INDICATION	LED, RED



SOURCE DRAWING - FOR REFERENCE ONLY

RELATED DOCUMENTS		3RD ANGLE PROJECTION		THIS DRAWING IS CONFIDENTIAL AND THE PROPERTY OF TURCK INC. USE OF THIS DOCUMENT WITHOUT WRITTEN PERMISSION IS PROHIBITED.		 3000 CAMPUS DRIVE MINNEAPOLIS, MN 55441 1-800-544-7769 (763) 553-7300 (763) 553-0708 fax www.turck.us	
1.			DRFT	RDS	DATE	01/16/12	DESCRIPTION NI15-S30-RZ3X
2.			APVD	J.M.	SCALE	1=1.3	
3.		ALL DIMENSIONS DISPLAYED ON THIS DRAWING ARE FOR REFERENCE ONLY CONTACT TURCK FOR MORE INFORMATION	UNIT OF MEASUREMENT		IDENTIFICATION NO.		REV
4.			INCH [MILLIMETER]		43557		C
C	UPDATE ID NUMBER PER HARMONIZATION PROJECT	CBM	12/20/17	DO NOT SCALE THIS DRAWING		FILE: 43557	SHEET 1 OF 1
REV	DESCRIPTION	BY	DATE	ECO NO.			